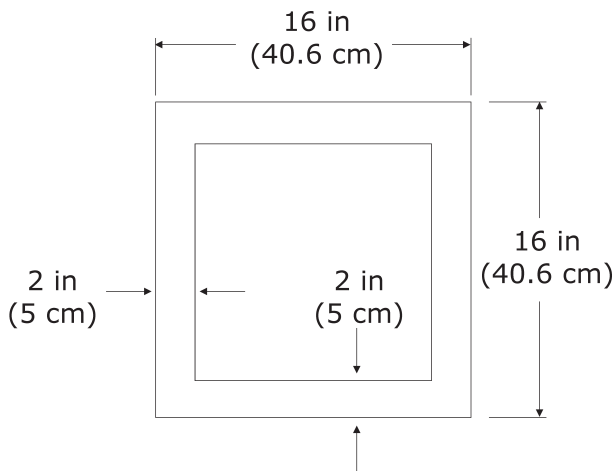


View port/Slide Projector port



Dimensions:

Overall Dimensions: 16 in W x 16 in H (40.6 cm x 40.6 cm)

Thru-Glass Dimension: 10 1/8 in W x 10 1/4 in H (25.7 cm x 25.7 cm)

Glass Angle: 7 Deg. from Vertical plane

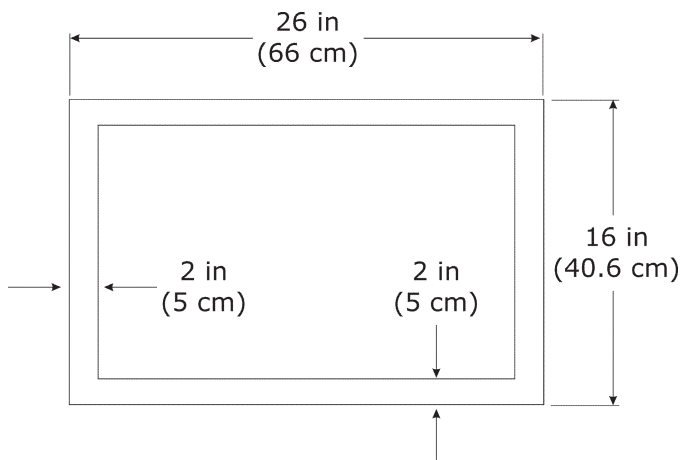
Installed Wall Thickness: 6 1/4 in Min - 12 in Max (15.9 cm - 30.5 cm)
18 in (45.7 cm) Max when used with port extension

Wall Cut-out size: 13 1/8 in W x 13 1/8 in H (33.3 cm x 33.3 cm)

Approx. Port Weight: 26 lbs (11.8 Kg)

Projector Shelf Dimensions: 15 3/4 in W x 11 3/4 in D (40 cm x 29.9 cm)

View/Slide projector Combo port



Dimensions:

Overall Dimensions: 26 in W x 16 in H (66 cm x 40.6 cm)

Thru-Glass Dimension: 20 in W x 10 1/8 in H (50.8 cm x 25.7 cm)

Glass Angle: 7 Deg. from Vertical plane

Installed Wall Thickness: 6 1/4 in Min - 12 in Max (15.9 cm - 30.5 cm)
18 in (45.7 cm) Max when used with port extension

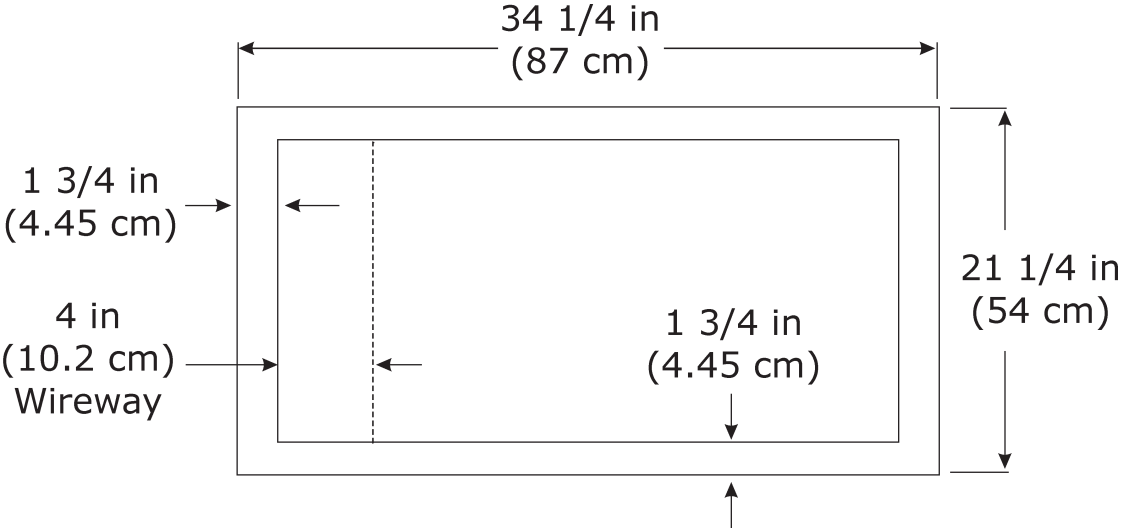
Wall Cut-out size: 23 1/8 in W x 13 1/8 in H (58.74 cm x 33.3 cm)

Approx. Weight: 37 lbs (16.8 Kg)

Projector Shelf Dimensions: 15 3/4 in W x 11 3/4 in D (40 cm x 29.9 cm)

Large projection port with wireway

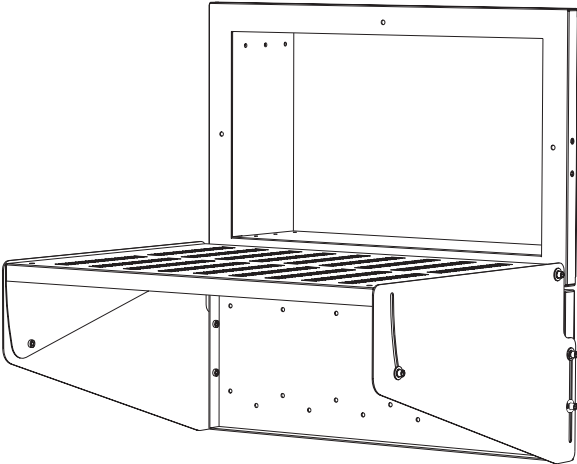
Large projection port without wireway



Dimensions:

- Overall Dimensions: 34 1/4 in W x 21 1/4 in H (87 cm x 54 cm)
- Glass Angle: 7 Deg. from Vertical
- Thru-Glass Dimension with Wireway: 24 3/8 in W x 15 in H (62 cm x 38 cm)
- Thru-Glass Dimension without Wireway: 30 3/8 in W x 15 in H (77 cm x 38 cm)
- Installed Wall Thickness: 6 1/4 in Min - 12 in Max (15.9 cm x 30.5 cm)
18 in Max when used with port extension (45.7 cm)
- Wall Cut-out Dimensions: 31 1/8 in W x 18 3/8 in H (79 cm x 46.7 cm)
- Approx Port Weight: 55 lbs (24.9 kg). (82 lbs. (37.2 kg) with THX cover)

Media projection shelf



Dimensions:

- Load Capacity: 75 lbs (34 kg)(Safety Factor 1.5)
- Tray Area: 26 in W x 18.5 in D (66 cm x 47 cm)
- Approx. Weight: 22.4 lbs (10.2 kg)

Media Projection Shelf
(shown attached to Projection Port)